



KINGSTON

Manufacturing reliable industrial valves for industry since 1908.

118CSS

Kingston Safety Valve

Model 118CSS

ASME Code High Flow Safety Valve
Brass, Stainless Steel Ball



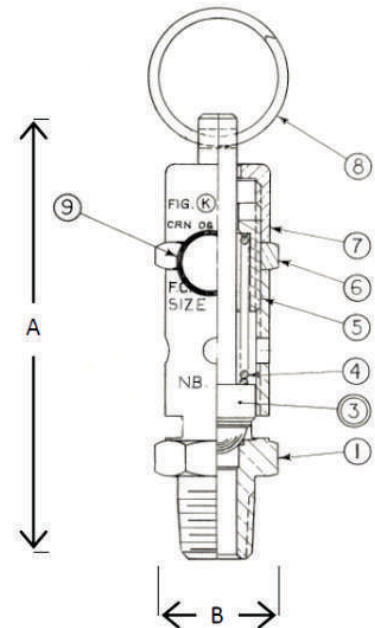
Features

- High Flow Capacity
- Precision Machined Hard Seat
- Stainless Steel Ball & Spring
- Pull Ring for Manual Testing
- ASME Certified- Stamped UV + NB
- Registered in All Canadian Provinces & Territories
- Maximum Temperature 400 °F
- Set Pressure Range 25-300 PSIG

| Model | Inlet Size | Orifice | Dimensions (inches) | | Set Pressure Range (PSIG) | Approx. Ship Wt. | Max Temp. (°F) | Figure/Part No. |
|--------|------------|---------|---------------------|----------|---------------------------|------------------|----------------|-----------------|
| | | | Height (A) | Hex (B) | | | | |
| 118CSS | 1/4" NPT | .295 | 3-3/16" | 5/8" | 25-300 | 3oz. | 400 °F | 118CSS-2-000 |
| | 3/8" NPT | .343 | 3-9/16" | 3/4" | | 5 oz. | | 118CSS-3-000 |
| | 1/2" NPT | 0.343 | 3-13/16" | 7/8" | | 9 oz. | | 118CSS-4-000 |
| | 3/4" NPT | 0.578 | 5-7/16" | 1 - 1/2" | | 1 lb. 2 oz. | | 118CSS-5-000 |
| | 1" NPT | 0.578 | 5-3/4" | 1 - 5/6" | | 1 lb. 5 oz. | | 118CSS-6-000 |

Materials

| No. | Part Name | Materials |
|-----|-----------------|-------------------------------------|
| 1 | Body | Brass |
| 2 | Seal | Vinyl |
| 3 | Stem Assembly | Brass Stem, Stainless Steel Ball |
| 4 | Spring | Stainless Steel |
| 5 | Adjusting Screw | Brass |
| 6 | Lock Nut | Brass |
| 7 | Cap | Brass |
| 8 | Pull Ring | Stainless Steel |



Kingston Model 118CSS Kingston Safety Valve

Flow Capacity Information

Fig. 118C - 1/4", 3/8" & 1/2"

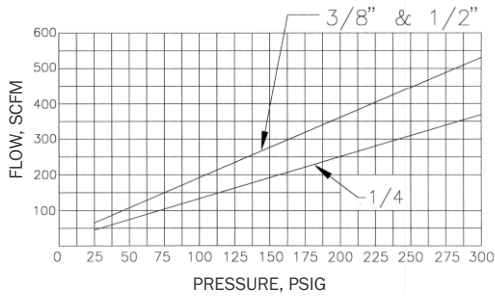
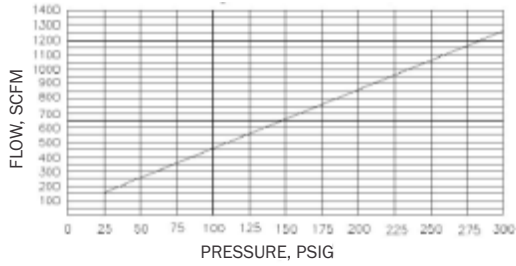


Fig. 118C - 3/4" & 1"



| SET PRESSURE | STAMPED CAPACITY CFM | | | | SET PRESSURE | STAMPED CAPACITY CFM | | | |
|--------------|----------------------|------------|------|-----|--------------|----------------------|------------|------|------|
| | 1/4" | 3/8", 1/2" | 3/4" | 1" | | 1/4" | 3/8", 1/2" | 3/4" | 1" |
| psi | | | | | psi | | | | |
| 25 | 45 | 65 | 155 | 155 | 165 | 210 | 302 | 720 | 720 |
| 30 | 51 | 73 | 175 | 175 | 170 | 216 | 311 | 740 | 740 |
| 35 | 57 | 82 | 195 | 195 | 175 | 222 | 319 | 760 | 760 |
| 40 | 63 | 9 | 215 | 215 | 180 | 228 | 328 | 781 | 781 |
| 45 | 69 | 99 | 236 | 236 | 185 | 233 | 336 | 801 | 801 |
| 50 | 75 | 107 | 256 | 256 | 190 | 239 | 344 | 821 | 821 |
| 55 | 80 | 116 | 276 | 276 | 195 | 245 | 353 | 841 | 841 |
| 60 | 86 | 124 | 296 | 296 | 200 | 251 | 361 | 861 | 861 |
| 65 | 92 | 133 | 316 | 316 | 205 | 257 | 370 | 882 | 882 |
| 70 | 98 | 141 | 336 | 336 | 210 | 263 | 378 | 902 | 902 |
| 75 | 104 | 150 | 357 | 357 | 215 | 269 | 387 | 922 | 922 |
| 80 | 110 | 158 | 377 | 377 | 220 | 275 | 395 | 942 | 942 |
| 85 | 116 | 167 | 397 | 397 | 225 | 281 | 404 | 962 | 962 |
| 90 | 122 | 175 | 417 | 417 | 230 | 286 | 412 | 982 | 982 |
| 95 | 128 | 184 | 437 | 437 | 235 | 292 | 421 | 1003 | 1003 |
| 100 | 133 | 192 | 458 | 458 | 240 | 298 | 429 | 1023 | 1023 |
| 105 | 139 | 201 | 478 | 478 | 245 | 304 | 438 | 1043 | 1043 |
| 110 | 145 | 209 | 498 | 498 | 250 | 310 | 446 | 1063 | 1063 |
| 115 | 151 | 217 | 518 | 518 | 255 | 316 | 455 | 1083 | 1083 |
| 120 | 157 | 226 | 538 | 538 | 260 | 322 | 463 | 1104 | 1104 |
| 125 | 163 | 234 | 559 | 559 | 265 | 328 | 472 | 1124 | 1124 |
| 130 | 169 | 243 | 579 | 579 | 270 | 334 | 480 | 1144 | 1144 |
| 135 | 175 | 251 | 599 | 599 | 275 | 339 | 488 | 1164 | 1164 |
| 140 | 181 | 260 | 619 | 619 | 280 | 345 | 497 | 1184 | 1184 |
| 145 | 186 | 268 | 639 | 639 | 285 | 351 | 505 | 1202 | 1202 |
| 150 | 192 | 277 | 659 | 659 | 290 | 357 | 514 | 1225 | 1225 |
| 155 | 198 | 285 | 680 | 680 | 295 | 363 | 522 | 1245 | 1245 |
| 160 | 204 | 294 | 700 | 700 | 300 | 369 | 531 | 1265 | 1265 |

Ordering Information

Kingston Safety Relief Valve Part Number Codes

1 1 8 C S S - [] - [] [] []

Valve Family
- 118

ASME Code
- 'C' Code Certified

Material Codes
- 'SS' Brass, Stainless Steel Ball

Size
2= 1/4" NPT
3= 3/8" NPT
4= 1/2" NPT
5= 3/4" NPT
6= 1" NPT

Relief Pressure Setting
5 psi increments
Ex.
25 psi = -025
150 psi = -150

Product Notes

Set pressure can deviate from the marked by ± 2 psig at or below 70 psig set pressures and $\pm 3\%$ psig above 70 psig.

Factory standard seat tightness for hard seat valves: no audible leakage at 10% below nameplate set. It is normal for spring-operated safety valves to exhibit leakage or simmer/warn, as the system operating pressure approaches the set pressure. For hard seat valves this is typically occurs at pressure at or above 80% of nameplate set pressure.

At very low set pressure (20 psig and below), the ratio of the downward spring force as compared to the upward pressure force is very small. In these cases it may be impossible to achieve seat tightness.

Storm Manufacturing reserves all rights. Product specifications are subject to change without notice.

The information contained herein by Storm Manufacturing Group (SMG) is provided in good faith and as a product guide only. Further, SMG makes no representation as to the completeness or accuracy of the information contained herein. Any person or persons using the information contained herein must exercise their own judgement and consider all local, regional, national and global safety standards in evaluating valve selection options. Final application design and integration of Kingston Products are the sole responsibility of the end user.



www.KingstonValves.com
KINGSTON