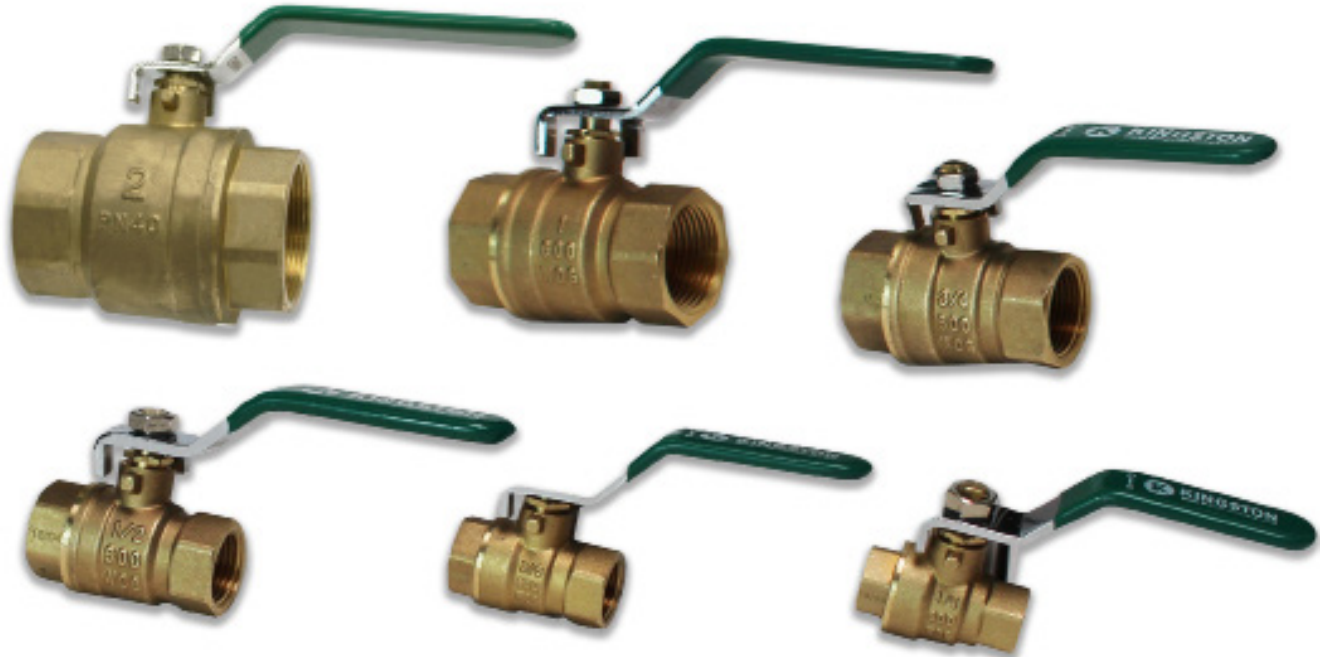


Model KBV

Kingston Ball Valves

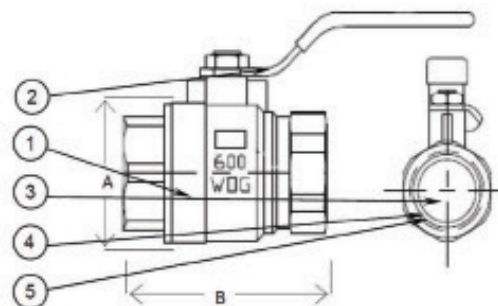


FEATURES

- 600 WOG 150 WSP rating
- Full Port Design
- Female to Female NPT Ports
- For use with Air, Water, Oil or Inert Gases
- Available sizes: 1/4", 1/2", 3/4", 1", 1-1/4", 1-1/2", 2", NPT

| Model | Inlet Size | Dimensions (Inches) | | Max. Pressure (WOG) | Max. Temp (°F) |
|-------|------------|---------------------|------------|---------------------|----------------|
| | | Height (A) | Length (B) | | |
| KBV-2 | 1/4" NPT | 1-5/8" | 1-3/4" | 600 | 400°F |
| KBV-3 | 3/8" NPT | | | | |
| KBV-4 | 1/2" NPT | 1-55/64" | 2-17/32" | | |
| KBV-5 | 3/4" NPT | 2-1/64" | 2-1/64" | | |
| KBV-6 | 1" NPT | 2-29/64" | 2-51/64" | | |
| KBV-7 | 1-1/4" NPT | 3-1/64" | 3-1/32" | | |
| KBV-8 | 1-1/2" NPT | 3-17/32" | 3-21/32" | | |
| KBV-9 | 2" NPT | 4-3/8" | 4-21/64" | | |

| No. | Part Name | Materials (KBV) |
|-----|-----------|---------------------|
| 1 | Body | Brass |
| 2 | Handle | Carbon Steel |
| 3 | Ball | Chrome Plated Brass |
| 4 | Seat | Teflon |
| 5 | | |

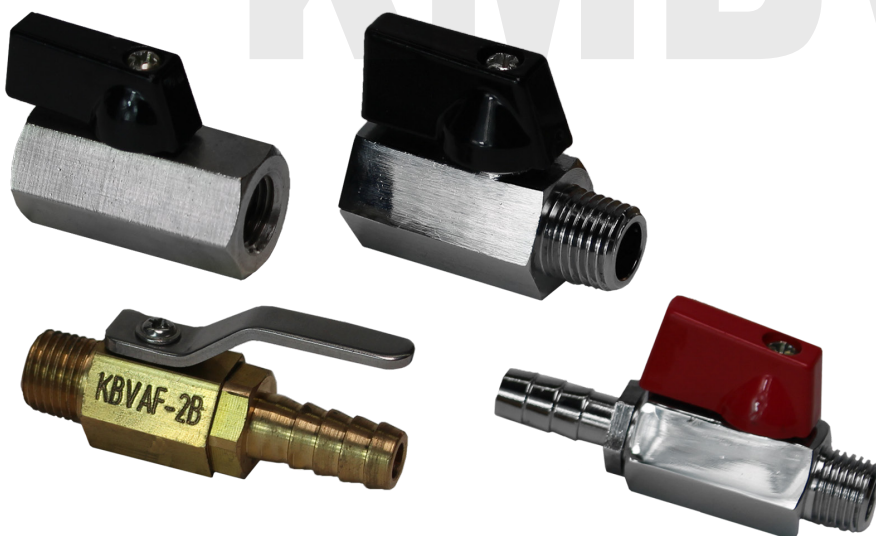


Model KMBV

Kingston Mini Ball Valves

FEATURES

- Chrome Plated Ball
- Full Port Design
- For Use with Air, Water, Oil or Inert Gases
- Maximum Operating Pressure is 400 W.O.G.
- Maximum Temperature is 400 °F
- Female to Female NPT Fitting
- Male to Female NPT Fitting
- Male to Hose barb fitting



| Model | Inlet Size | Dimensions (Inches) | | Max. Pressure (WOG) | Max. Temp (°F) |
|----------|------------|---------------------|-------------|---------------------|----------------|
| | | Hex Size (in) | Height (in) | | |
| KMBVM-1 | 1/8" MxF | 0.740 | 1.445±.06 | 400 | 400°F |
| KMBVM-2 | 1/4" MxF | 0.748 | 1.449±.06 | | |
| KMBVM-3R | 3/8" MxF | 0.807 | 1.498±.06 | | |
| KMBVM-4 | 1/2" MxF | 0.945 | 1.665±.06 | | |
| KMBVF-1 | 1/8" FxF | 0.740 | 1.445±.06 | | |
| KMBVF-2 | 1/4" FxF | 0.748 | 1.449±.06 | | |
| KMBVF-3 | 3/8" FxF | 0.787 | 1.498±.06 | | |
| KMBVF-4 | 1/2" FxF | 0.945 | 1.665±.06 | | |

*Special Configurations Available Upon Request

| No. | Part Name | Materials |
|-----|-----------|-------------------------------------|
| 1 | Body | Chrome Plated Brass |
| 2 | Seat | Teflon |
| 3 | Ball | Chrome Plated Brass |
| 4 | Stem | Brass |
| 5 | Screw | Brass |
| 6 | Handle | Black Epoxy Painted Aluminum Handle |
| 7 | O-Ring | NBR |

