



KINGSTON

Manufacturing reliable industrial valves for industry since 1908.

621

Control Valve

Model 621

Kingston Discharge Unloader Valve



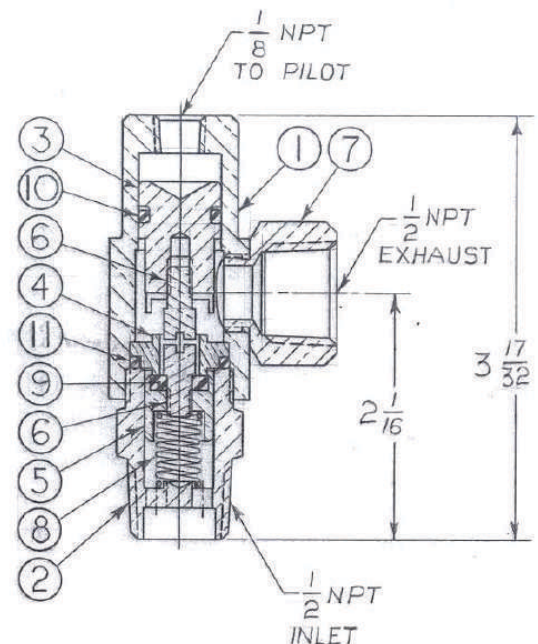
Features

- Mufflers May Be Installed on the Discharge Ports for Quieter Operation.
- Can Be Used for Intercooler Blow Down and Many Other Air and Some Liquid Applications
- Model 621-4-4 is Recommended for Air Compressors through 5 HP
- Model 621-6-5 is Recommended for Air compressors 7-1/2 through 15 HP

Model	Inlet Size	Outlet Size	Dimensions			Approx. Shipping Wt.	Min. Temp (°F)	Max. Temp (°F)
			Height (A)	Thickness(B)	Width (C)			
621	1/2" NPT	1/2" NPT	3-17/32"	1-1/8"	1-29/32"	12 oz.	-40°F	225°F
	1" NPT	3/4" NPT	5"	1-13/16"	1-13/16"	1 lb. 15 oz.	-25°F	350°F

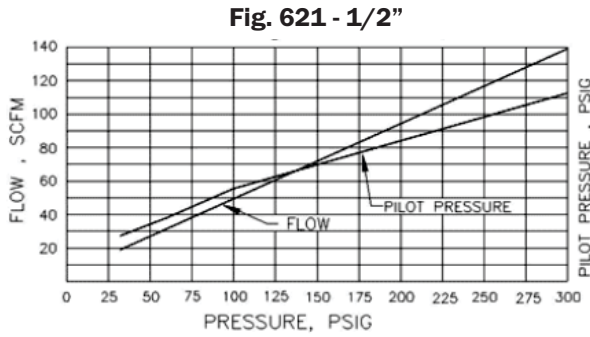
Materials

No.	Part Name	Materials
1	Plunger Body	Brass
2	Base	Brass
3	Plunger	Brass
4	Valve Seat	Brass
5	Valve	Brass
6	Screw	Brass
7	Adapter (EXH)	Brass
8	Spring	Stainless Steel
9	Disc	Viton
10	"O" Ring (Plunger)	Viton
11	"O" Ring (Valve Seat)	Buna "N"

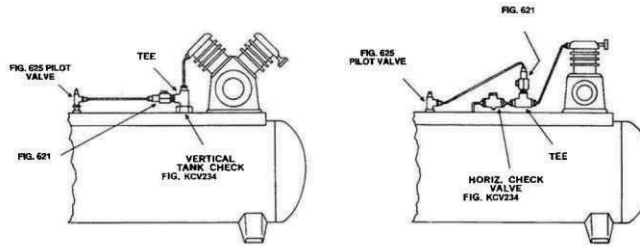


Kingston Model 621 Discharge Unloader Valve

Flow Capacity Information



Installation Instructions

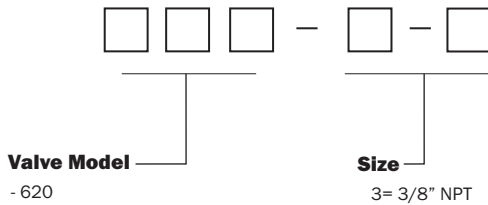


Install a pipe tee in the air compressor discharge line, ahead of the Kingston check valve. Connect the male thread of the Fig. 621 Unloader to the unused tee opening. Mount a Kingston Unloader pilot valve on the air tank and connect its side outlet port to the pilot port on the Fig. 621, using 1/4" tubing.

For quieter operation, a muffler may be installed on the discharge port on the Fig. 621.

Ordering Information

Kingston Air Compressor Valves Part Number Codes



Product Notes

Storm Manufacturing reserves all rights. Product specifications and designs are subject to change without notice.

The information contained herein by Storm Manufacturing Group (SMG) is provided in good faith and as a product guide only. Further, SMG makes no representation as to the completeness or accuracy of the information contained herein. Any person or persons using the information contained herein must exercise their own judgement and consider all local, regional, national and global safety standards in evaluating valve selection options. Final application design and integration of Kingston Products are the sole responsibility of the end user.



www.KingstonValves.com
KINGSTON

Copyright 2016 © Storm Manufacturing Group. All rights reserved. Product designs and specifications subject to change without notice. 03.621.16.r1