



KINGSTON

Manufacturing reliable industrial valves for industry since 1908.

298

Control Valve

Model 298

Kingston Low Flow Side Port Air Control Valve



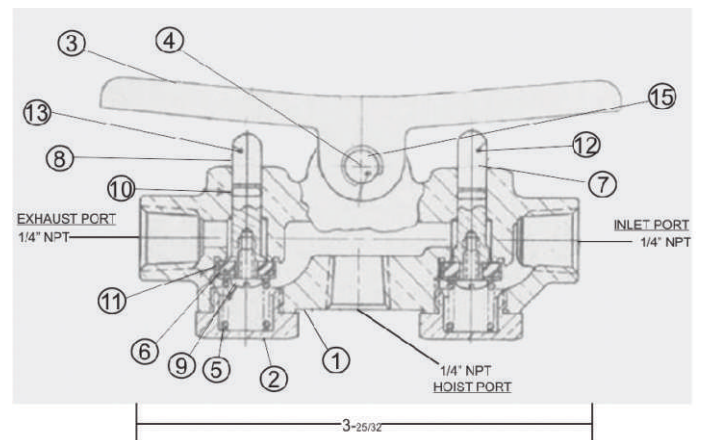
Features

- Durable Brass Construction with Buna-N Seals
- Inlet Stem is Designed to Provide Restricted Flow on Initial Opening with Full Flow Achieved when Fully Opened
- Vertical Bottom Cylinder Port
- Maximum Operating Pressure is 150 PSI
- "Two-step" Valve Design for Operating Single Acting Cylinders
- Model 298-2-6 Differs from the 296-2 only in the Tank Valve. The Tank Valve is only present in 296-2.

Model	Dimensions (inches)		Pressure Range (PSIG)	Approx. Shipping Wt.
	Height (A)	Width (B)		
298	1-73/100"	3-25/32"	10-150	14 oz.

Materials

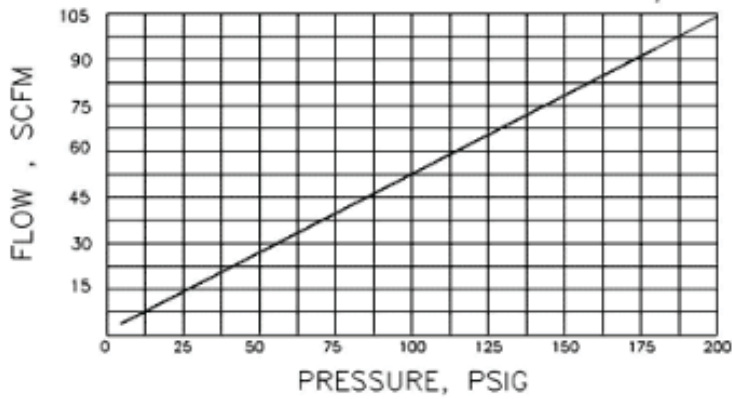
No.	Part Name	Materials
1	Body	Brass
2	Cap	Brass
3	Lever	Brass
4	Lever Pin	Carbon Steel
5	Spring	Music Wire
6	Disc	Buna "N"
7	Inlet Stem	Brass
8	Exhaust Stem	Brass
9	Disc Screw	Brass
10	"O" Ring	Buna "N"
11	Disc Cage	Brass
12	Inlet Stem Assembly Item No 6, 7, 9, 10 & 11	
13	Exhaust Stem Assembly Item No. 6, 8, 9, 10 & 11	
15	Crescent Ring	Carbon Steel



Kingston Model 298 Control Valve

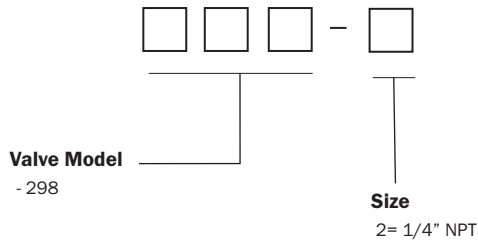
Flow Capacity Information

Fig. 298 - 1/4"



Ordering Information

Kingston Control Valves Part Number Codes



Example:
298-2

Product Notes

Storm Manufacturing reserves all rights. Product specifications and designs are subject to change without notice.

The information contained herein by Storm Manufacturing Group (SMG) is provided in good faith and as a product guide only. Further, SMG makes no representation as to the completeness or accuracy of the information contained herein. Any person or persons using the information contained herein must exercise their own judgement and consider all local, regional, national and global safety standards in evaluating valve selection options. Final application design and integration of Kingston Products are the sole responsibility of the end user.



www.KingstonValves.com
KINGSTON