



KINGSTON

Manufacturing reliable industrial valves for industry since 1908.

296

Control Valve

Model 296

Kingston Low Flow Side Port Air Control Valve



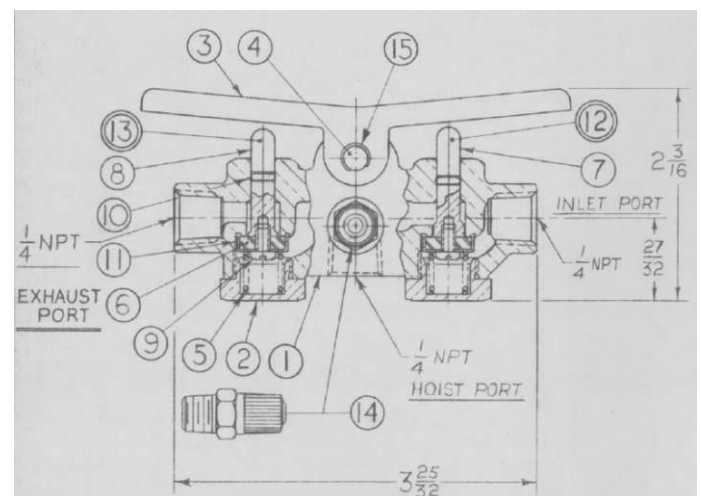
Features

- Durable Brass Construction with Buna-N Seals
- Inlet Stem is Designed to Provide Restricted Flow on Initial Opening with Full Flow Achieved when Fully Opened
- 1/8" Tank Valve, Providing a Second Means to Pressurize the Cylinder by Using a Tire Chuck Without Actuating the Lever.
- Maximum Operating pressure is 150 PSI
- Models 292-2 & 296-2 Designs Differ Only in the Position of the Cylinder Port.
- "Two-step" Valve Design for Operating Single Acting Cylinders

Model	Dimensions (inches)		Pressure Range (PSIG)	Approx. Shipping Wt.
	Height (A)	Width (B)		
296	2-3/16"	3-25/32"	10-150	15 oz.

Materials

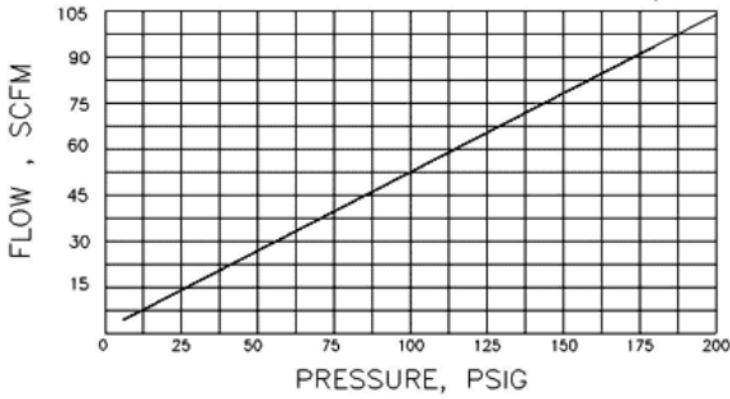
No.	Part Name	Materials
1	Body	Brass
2	Cap	Brass
3	Lever	Brass
4	Lever Pin	Leaded Steel
5	Spring	Music Wire
6	Disc	Buna "N"
7	Inlet Stem	Brass
8	Exhaust Stem	Brass
9	Disc Screw	Brass
10	"O" Ring (Stem)	Buna "N"
11	Cage (Disc)	Brass
12	Inlet Stem Assembly Item No. 6, 7, 9, 10, & 11	
13	Exhaust Tem Assembly Item No. 6, 8, 9, 10, & 11	
14	Tank Valve	
15	Crescent Ring	Carbon Steel



Kingston Model 296 Control Valve

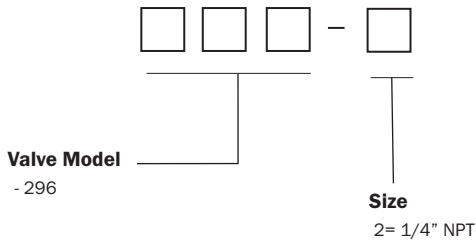
Flow Capacity Information

Fig. 296 - 1/4"



Ordering Information

Kingston Control Valves Part Number Codes



Example:
296-2

Product Notes

Storm Manufacturing reserves all rights. Product specifications and designs are subject to change without notice.

The information contained herein by Storm Manufacturing Group (SMG) is provided in good faith and as a product guide only. Further, SMG makes no representation as to the completeness or accuracy of the information contained herein. Any person or persons using the information contained herein must exercise their own judgement and consider all local, regional, national and global safety standards in evaluating valve selection options. Final application design and integration of Kingston Products are the sole responsibility of the end user.



www.KingstonValves.com
KINGSTON