



# KINGSTON

Manufacturing reliable industrial valves for industry since 1908.

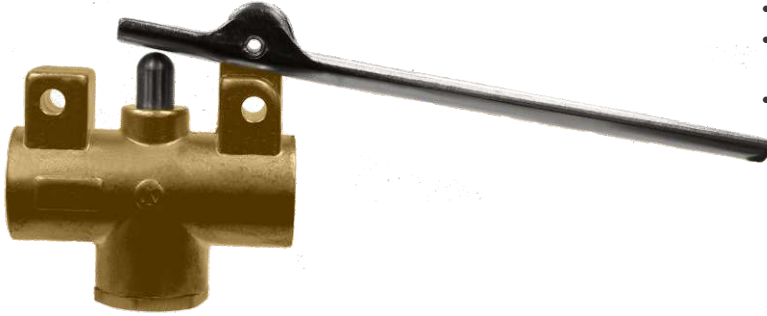
## 251 Control Valve

## Model 251

"KING 1000"- Heavy Duty Flow Control Valve

### Features

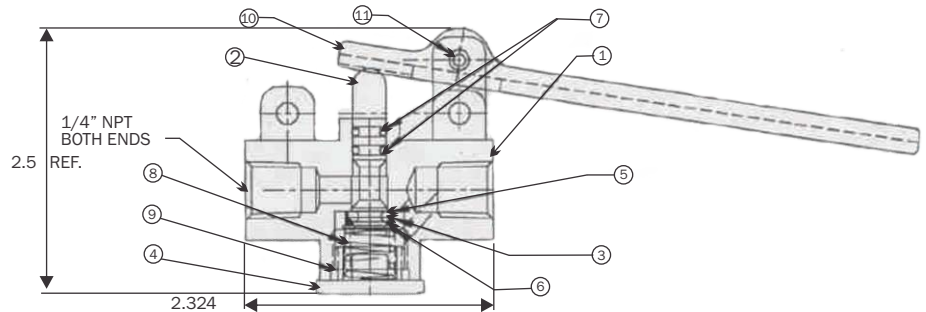
- Maximum Operating Pressure is 1000 PSI
- High Pressure Flow Control
- Commonly Used as a Hand Control Valve for Truck-mounted Pressure Systems
- Maximum Temperature Range is -40 °F to 225 °F



Model	Inlet Size	Outlet Size	Orifice	Dimensions (inches)			Approx. Shipping Wt.	Pressure Range (PSIG)
				Height (A)	Length (B)	Width (C)		
251FT	1/4" NPT	1/4" NPT	0.25	2-1/2"	2-21/67"	2-21/64"	14 oz.	25-1000

### Materials

No.	Part Name	Materials
1	Body	Brass
2	Stem	Stainless Steel
3	Retainer	Stainless Steel
4	Cap	Brass
5	"O" Ring	Buna "N"
6	Retaining Ring	PH 15-7
7	"O" Ring	Buna "N"
8	Spring	Stainless Steel
9	"O" Ring	Buna "N"
10	Lever	Steel
11	Roll Pin	Carbon Steel



# Kingston Model 251 Heavy Duty Flow Control Valve

## Flow Capacity Information

Fig. 251 - 1/4"

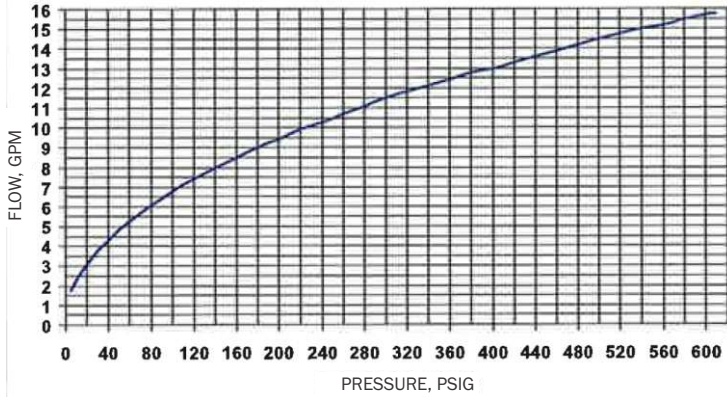
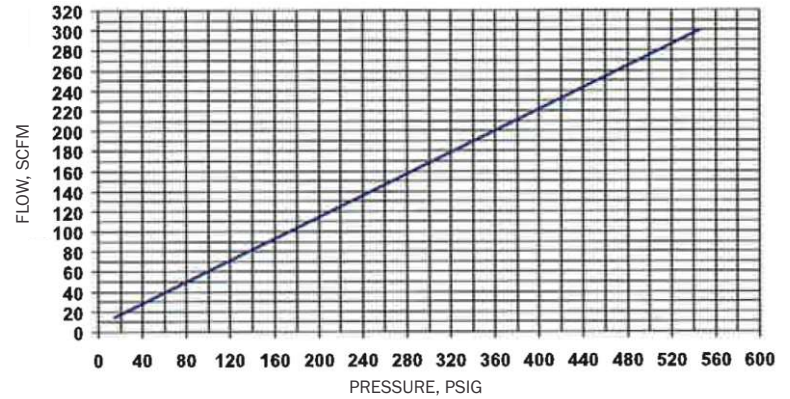
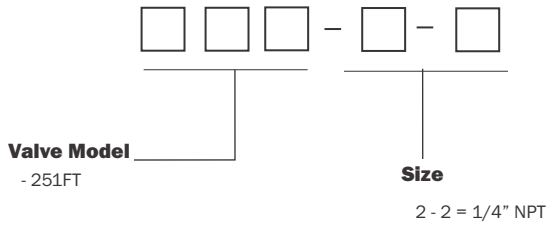


Fig. 251 - 1/4"



## Ordering Information

### Kingston Control Valves Part Number Codes



\*O-Rings not available in Teflon

## Product Notes

Storm Manufacturing reserves all rights. Product specifications and designs are subject to change without notice.

The information contained herein by Storm Manufacturing Group (SMG) is provided in good faith and as a product guide only. Further, SMG makes no representation as to the completeness or accuracy of the information contained herein. Any person or persons using the information contained herein must exercise their own judgement and consider all local, regional, national and global safety standards in evaluating valve selection options. Final application design and integration of Kingston Products are the sole responsibility of the end user.



www.KingstonValves.com  
**KINGSTON**