



KINGSTON

Manufacturing reliable industrial valves for industry since 1908.

114

Safety Relief Valve

Model 114

ASME Code Safety Valve- Brass, Soft Seat



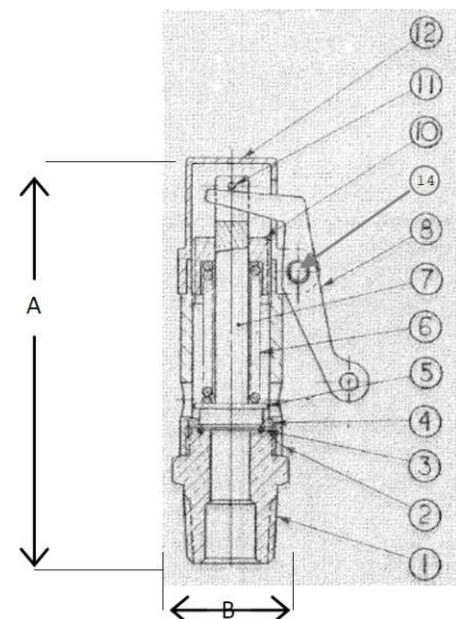
Features

- Viton O-ring Provides Soft Seat Performance
- Precision Machines Hard, Positive Stop
- Lever for Manual Testing
- Sizes: 1/4", 1/2", 3/4", & 1" NPT
- ASME/NB Certified - Stamped UV + NB
- Temperature Range" -20 °F to 400 °F
- Section VIII Air Seat Pressure Range 25-300 PSIG
- Steam Rated 35 - 50 PSIG Only
- Registered in All Canadian Provinces & Territories

Model	Inlet Size	Orifice	Dimensions (inches)		Set Pressure Range (PSIG)	Approximate Ship Wt.	Max. Temp (°F)	Figure/Part No.
			Height (A)	Hex (B)				
114	1/4" NPT	.219	3-1/4"	5/8"	25-300	4 oz.	400F	114-2-000
	1/2" NPT	0.312	3-7/8"	7/8"	25-275	8 oz.		114-4-000
	3/4" NPT	0.437	4-1/2"	1 - 1/2"	25-250	14 oz.		114-5-000
	1" NPT	0.625	4-15/16"	1 - 5/16"	25-250	1 lb. 8 oz.		114-6-000

Materials

No.	Part Name	Materials
1	Base	Brass
2	Body	Brass
3	O' Ring	Viton
4	Seat Washer	Brass
5	Stem Washer	Brass
6	Spring	M.W. / SST
7	Stem	Brass
8	Lever	Cold Rolled Steel
9	Seal	Vinyl
10	Adj. Screw	Brass
11	Roll Pin	Carbon Steel
12	Cap	Brass
14	Cap Screw	Brass



Kingston Model 114 Safety Relief Valve

Flow Capacity Information

Fig. 114 - 1/4", 1/2"

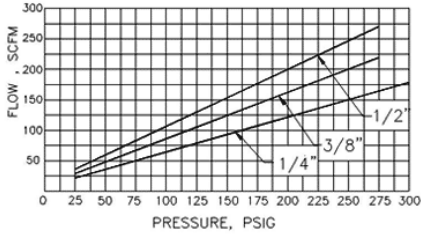
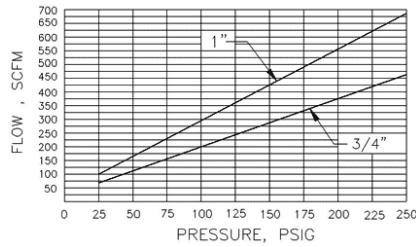


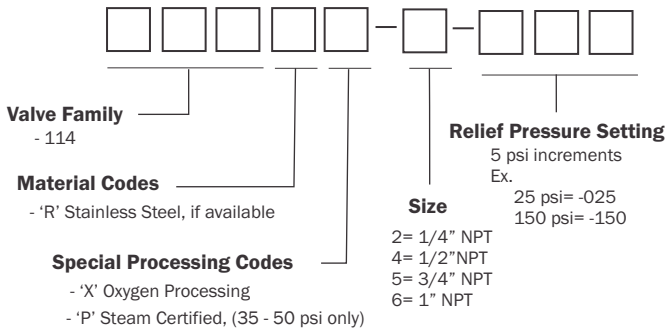
Fig. 114 - 3/4" & 1"



SET PRESSURE	STAMPED CFM					SET PRESSURE	STAMPED CFM				
	1/4"	3/8"	1/2"	3/4"	1"		1/4"	3/8"	1/2"	3/4"	1"
25	22	29	36	68	100	165	102	135	167	314	465
30	25	33	41	76	113	170	105	139	171	323	478
35	28	37	45	85	126	175	108	143	176	332	491
40	31	41	50	94	139	180	111	147	181	340	504
45	33	44	55	103	152	185	113	151	185	349	517
50	36	48	59	112	165	190	116	154	190	358	530
55	39	52	64	120	178	195	119	158	195	367	543
60	42	56	69	129	191	200	122	162	199	376	556
65	45	59	73	138	204	205	125	166	204	384	569
70	48	63	78	147	217	210	128	170	209	393	582
75	51	67	83	156	230	215	131	173	214	402	595
80	53	71	87	164	243	220	133	177	218	411	608
85	56	75	92	173	256	225	136	181	223	420	621
90	59	78	97	182	269	230	139	185	228	428	634
95	62	82	101	191	283	235	142	189	232	437	647
100	65	86	106	200	296	240	145	192	237	446	661
105	68	90	111	208	309	245	148	196	242	455	674
110	71	94	115	217	322	250	151	200	246	464	687
115	73	97	120	226	335	255	154	204	251		
120	76	101	125	235	348	260	156	207	256		
125	79	105	129	244	361	265	159	211	260		
130	82	109	134	252	374	270	162	215	265		
135	85	113	139	261	387	275	165	219	270		
140	88	116	143	270	400	280	168				
145	91	120	148	279	413	285	171				
150	93	124	153	288	426	290	174				
155	96	128	157	296	439	295	176				
160	99	132	162	305	452	300	179				

Ordering Information

Kingston Valves Safety Valve Product Number



Product Notes

All Kingston Safety Valves are manufactured under a quality control system accepted by the National Board of Boiler and Pressure Vessel inspectors. Code valves are capacity certified by the National Board, manufactured in accordance with ASME Code, set and sealed at the factory.

Set pressure can deviate from the marked by ± 2 psig at or below 70 psig set pressures and $\pm 3\%$ psig above 70 psig.

Factory standard seat tightness for hard seat valves: no audible leakage at 20% below nameplate set. It is normal for spring-operated safety valves to exhibit leakage or simmer/warn, as the system operating pressure approaches the set pressure. For hard seat valves this is typically occurs at pressure at or above 80% of nameplate set pressure.

At very low set pressure (20 psig and below), the ratio of the downward spring force as compared to the upward pressure force is very small. In these cases it may be impossible to achieve seat tightness.

Soft seat valves will typically provide a higher degree of seat tightness than metal, hard seats. Factory standard seat tightness does not ensure bubble-tight seal regardless of material. Storm Manufacturing reserves all rights. Product specifications are subject to change without notice.

The information contained herein by Storm Manufacturing Group (SMG) is provided in good faith and as a product guide only. Further, SMG makes no representation as to the completeness or accuracy of the information contained herein. Any person or persons using the information contained herein must exercise their own judgement and consider all local, regional, national and global safety standards in evaluating valve selection options. Final application design and integration of Kingston Products are the sole responsibility of the end user.



www.KingstonValves.com
KINGSTON