

# KSV Soft Seat Safety Valves

ASME Section VIII, Division I and Section XIII / National Board Certified



## FEATURES

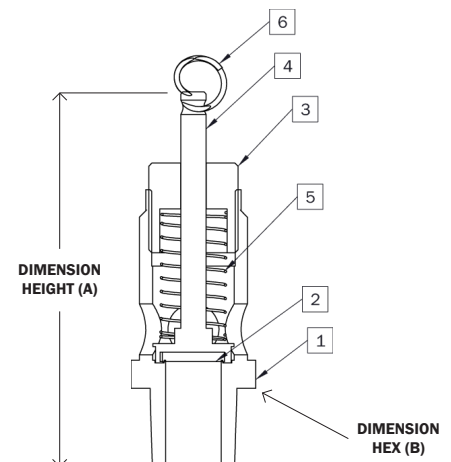
- Designed to API 527 Seat Tightness Standard
- Compact size providing high flow capacities
- Bodies are laser engraved with both the UV and NB symbols
- Stainless Steel construction for long-lasting performance in corrosive environments
- World Class Lead Times
- ISO 9001:2015 Certified

## MODEL INFORMATION

Model	Inlet Size (NPT)	Body Material	Orifice Area	NB Rated Slope	Set Pressure Range (psig)	Dimensions (inches)		Shipping Weight
						Height (A)	Hex (B)	
KSV10H	1/8"	Brass	0.031 in <sup>2</sup>	0.467 SCFM/PSIA	20 to 300	1.56"	0.562"	1.0 oz
	1/4"	Brass				1.56"	0.562"	1.1 oz
KSV25	1/8"	Brass	0.049 in <sup>2</sup>	0.726 SCFM/PSIA	20 to 450	1.89"	0.687"	1.4 oz
	1/4"	Brass or SST				2.01"	0.687"	1.8 oz
	3/8"	Brass				2.01"	0.687"	1.8 oz
KSV30	1/2"	Brass or SST	0.145 in <sup>2</sup>	1.90 SCFM/PSIA	20 to 300	2.71"	0.875"	0.27 lbs
KSV35	1/2"	Brass or SST	0.233 in <sup>2</sup>	3.40 SCFM/PSIA	20 to 300	3.66"	1.060"	0.61 lbs
	3/4"	Brass or SST				3.66"	1.060"	0.61 lbs
KSV40	1"	Brass or SST	0.478 in <sup>2</sup>	7.07 SCFM/PSIA	20 to 300	4.66"	1.625"	1.5 lbs
	1 1/4"	Brass or SST				4.66"	1.625"	1.5 lbs

## MATERIALS

NO.	PART NAME	MATERIALS			
		BRASS OPTION		STAINLESS OPTION	
1	Body	Brass C36000	-320°F to 406°F	SST UNS S30300	-20°F to 500°F
2	Disc	Silicone	-65°F to 400°F	FKM	-13°F to 446°F
		FKM (Optional)	-13°F to 446°F	Silicone (Optional)	-65°F to 400°F
		EPDM (Optional)	-40°F to 220°F	EPDM (Optional)	-40°F to 220°F
		NBR (Optional)	-40°F to 250°F	NBR (Optional)	-40°F to 250°F
3	Adjusting Screw	Brass C36000		SST UNS S30300	
4	Stem	Brass C36000		SST UNS S30300	
5	Spring	SST 302 or 17-7		SST 302 or 17-7	
6	Pull Ring	SST 304		SST 304	





## ORDERING GUIDE

### 1 MODEL NUMBER

BRASS	SST
KSV10H	
KSV25	KSV25CRF
KSV30	KSV30CRF
KSV35	KSV35CRF
KSV40	KSV40CRF

### 2 DISC OPTIONS

BRASS	SST
Silicone	FKM
FKM	Silicone
EPDM	EDPM
	NBR

### 3 ADDITIONS

CODE	OPTION
(BLANK)	NONE
P	Steam*
X	O2 Cleaning
Z	Thread Sealant

\*Limited Pressure Range: 25 to 54 psi

### 4 BRASS SIZES

CODE	NPT
1	1/8"
2	1/4"
3	3/8"
4	1/2"
5	3/4"
6	1"
7	1 1/4"

### SST SIZES

CODE	NPT
2	1/4"
4	1/2"
5	3/4"
6	1"
7	1 1/4"

### 5 CONNECTION

CODE	TYPE
(BLANK)	NPT
B	BSPT
G	BSPP

### 6 SET PSI

<b>20 TO 300</b>
*KSV25 UP TO 450

SET PSI	STAMPED CAPACITY (SCFM)					SET PSI	SCFM KSV25
	KSV10H	KSV25	KSV30	KSV35	KSV40		
20		27	71	128	266	305	254
25	19	31	81	145	301	310	258
30	22	34	90	162	337	315	262
35	24	38	101	180	376	320	266
40	27	42	111	199	415	325	270
45	29	46	121	218	453	330	274
50	32	50	132	236	492	335	278
55	35	54	142	255	531	340	282
60	37	58	153	274	570	345	286
65	40	62	163	293	609	350	290
70	42	66	174	311	648	355	294
75	45	70	184	330	687	360	298
80	47	74	195	349	726	365	302
85	50	78	205	367	764	370	306
90	53	82	216	386	803	375	310
95	55	86	226	405	842	380	314
100	58	90	236	423	881	385	318
105	60	94	247	442	920	390	322
110	63	98	257	461	959	395	326
115	65	102	268	480	998	400	330
120	68	106	278	498	1037	405	334
125	71	110	289	517	1076	410	338
130	73	114	299	536	1114	415	342
135	76	118	310	554	1153	420	346
140	78	122	320	573	1192	425	350
145	81	126	330	592	1231	430	354
150	83	130	341	610	1270	435	358
155	86	134	351	629	1309	440	362
160	89	138	362	648	1348	445	366
165	91	142	372	667	1387	450	370
170	94	146	383	685	1426		
175	96	150	393	704	1464		
180	99	154	404	723	1503		
185	101	158	414	741	1542		
190	104	162	425	760	1581		
195	107	166	435	779	1620		
200	109	170	445	797	1659		
205	112	174	456	816	1698		
210	114	178	466	835	1737		
215	117	182	477	854	1775		
220	119	186	487	872	1814		
225	122	190	498	891	1853		
230	125	194	508	910	1892		
235	127	198	519	928	1931		
240	130	202	529	947	1970		
245	132	206	539	966	2009		
250	135	210	550	984	2048		
255	137	214	560	1003	2087		
260	140	218	571	1022	2125		
265	142	222	581	1041	2164		
270	145	226	592	1059	2203		
275	148	230	602	1078	2242		
280	150	234	613	1097	2281		
285	153	238	623	1115	2320		
290	155	242	634	1134	2359		
295	158	246	644	1153	2398		
300	160	250	654	1171	2437		

FLOW CAPACITY

## PRODUCT NOTES

Storm Manufacturing reserves all rights. Product specifications and designs are subject to change without notice. The information contained herein by Storm Manufacturing Group (SMG) is provided in good faith and as a product guide only. Further, SMG makes no representation as to the completeness or accuracy of the information contained herein. Any person or persons using the information contained herein must exercise their own judgement and consider all local, regional, national and global safety standards in evaluating valve selection options. Final application design and integration of Kingston Products are the sole responsibility of the end user.