

### KNG69

The KNG69 is an industry standard relief valve used for liquid relief and by-pass. Engineered and designed for heavy duty, industrial, and commercial usages. A single piece bonnet to eliminate leakage while allowing for simple cleaning. Easy removable sealed hex-cap to adjust pressure.

Valves are calibrated (set to pressure) based on a range of flow-rates (GPM) versus seat size and set pressure. Standard valve is set to pressure to achieve flow rate maximum and minimums within each set pressure range. See capacity chart for details.

**Usages:** Include liquid by-pass, regulation, continuous relief and overprotection. Used on pumping stations, tanks, hydraulics, fluid / piping lines, oil fields, gas lines and more where a Liquid or Water Relief Valve is needed.

**Features:**

- Field adjustable by simple removal of the hex-cap
- Metal to metal precision lapped seating
- Back pressure tested
- Ease of cleaning and maintenance with simple bonnet removal
- Stainless steel springs
- Single piece - 100% leak free bonnet

**Options:**

- BSPT connections
- Female inlet
- Viton embedded O-ring at hex cap
- Packed lift lever
- Wide range WR adjustable (150 PSI increments)
- Stainless steel body and disk
- Low Lead Configurations (for potable Water Relief Valve)
- PTFE Seating
- Tamper proof wire seal
- O2 Cleaning

#### Wide Range:

KNG69 is available with a wider adjustable range (as an option).

Valves are set to the mid-level pressure (or as specified).

Typical wide range is 150 PSI increments.

Note: Flow rates are not showing.

### KNG51-55

KNG 51 liquid valves are smaller with a maximum pressure of 750 P.S.I.

KNG55 are small compact (liquid) water relief valves with a maximum pressure of 200 P.S.I.



**KNG69**



**KNG69  
Packed Lever**



**KNG55**

## KNG69 - 51 - 55

Series	Size ID	Inlet	Outlet	DN	Dimensions - In			Weight/Lbs.
					A	B	C	
69	A1	1/2"	1/2"	15	6"	2-1/2"	1-3/8"	1.7
69	A2	1/2"	3/4"	15	6"	2-1/2"	1-3/8"	1.7
69	B1	3/4"	3/4"	20	6-1/4"	2-5/8"	1-1/2"	2.2
69	B2	3/4"	1"	20	6-1/4"	2-5/8"	1-1/2"	2.2
69	C1	1"	1"	25	7-3/8"	2-7/8"	1-3/4"	3
69	C2	1"	1-1/4"	25	7-3/8"	2-7/8"	1-3/4"	3
69	D1	1-1/4"	1-1/4"	32	8-1/4"	3-3/8"	2"	4
69	D2	1-1/4"	1-1/2"	32	8-1/4"	3-3/8"	2"	4
69	E1	1-1/2"	2"	40	9-1/2"	3-1/2"	2-1/8"	5.8
69	E2	1-1/2"	2"	40	9-1/2"	3-1/2"	2-1/8"	5.8
69	F1	2"	2-1/2"	50	11"	3-7/8"	2-5/8"	9.7
69	F2	2"	2-1/2"	50	11"	3-7/8"	2-5/8"	9.7
69	G1	2-1/2"	2-1/2"	65	13"	5-1/4"	3-5/8"	19
69	G2	2-1/2"	3"	65	13"	5-1/4"	3-5/8"	19
69	H1	3"	3"	80	13-1/4"	5-5/8"	3-5/8"	19
51	1/4" - 3/8" - 1/2"	1/4" - 3/8" - 1/2"	1/2"	15	5-1/4"	2-1/4"	1-1/8"	1
55	1/4" - 3/8" - 1/2"	1/4" - 3/8" - 1/2"	1/2"	15	3"	1-3/4"	1-1/8"	0.6

### KNG69 Part Numbers

KNG69 Series	C Inlet	1 Outlet	A Metals	1 Connection	M Seating	3 Cap	U Service	1 Options	125 Set PSI
KNG69	A- 1/2"	1- Same size as inlet	A- Brass/Bronze	1- NPT MxF	M- Metal	2- Closed cap	U- Non-Code Liquid	1- None	Ex. 125
	B- 3/4"	2- Next Larger than inlet	B- 316 SS Nozzle-Disc w/Bronze	2- NPT FxF	P- PTFE	3- Packed lift lever		2- Chrome Plating	
	C- 1"		L- No Lead Nozzle-Disc w/Bronze	3- BSPT MxF		5- Closed Cap with Test Gag		3- O2 Cleaned	
	D- 1-1/4"		M- 316 SS/No Lead Bronze	4- BSPT FxF		6- Packed Lever with Test Gag			
	E- 1-1/2"					8- Closed Cap With O-Ring			
	F- 2"					W- Wheel Handle			
	G- 2-1/2"								
	H- 3"								

### KNG51 and 55 Part Numbers

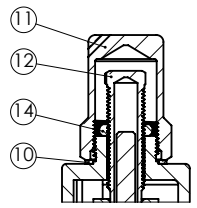
KNG55 Series/Description	B Inlet/Outlet	A Metals	1 Connection	M Seating	2 Cap	U Service	1 Options	125 Set PSI
KNG55 Side Outlet	A- 1/4" X 1/2"	A- Brass Bronze	1- NPT MxF	M- Metal	2- Closed cap	U- Non-Code Liquid	1- None	Ex. 125
KNG51 Closed Cap	B- 3/8" X 1/2"	B- 316 SS Bronze	2- NPT FxF				2- Chrome Plating	
	C- 1/2" X 1/2"						3- O2 Cleaned	

### KNG51 and 55 GPM @ 25% Over Set Pressure

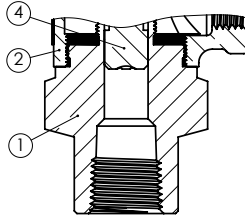
KNG51	PSI	10	20	30	40	50	75	100	150	200	300	400	500	600	700
	GPM	4.6	4.6	5.7	6.5	7.3	8.9	10	13	14	18	21	23	25	28
KNG55	PSI	10	20	30	40	50	75	100	150	200	300	400	500	600	700
	GPM	4.6	4.6	5.7	6.5	7.3	8.0	9.0	10	13	14	-	-	-	-

### Materials of Construction KNG69

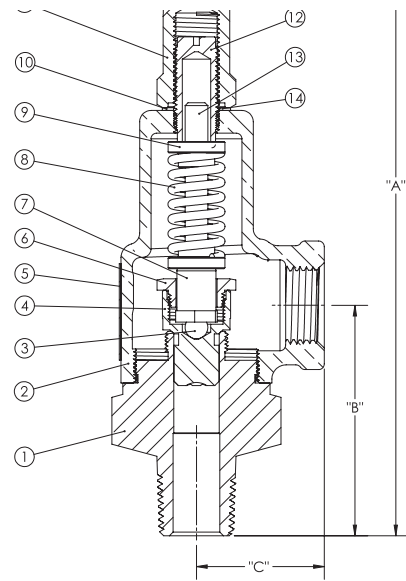
#	Description	Brass Option	Stainless Option
1	Body	B16/B283	316 Stainless
2	Bonnet	B584	B584
3	Ball	Stainless	Stainless
4	Disc	B62	316 Stainless
5	Nameplate	Stainless	Stainless
6	Disc Nut	B16	B16
7	Spring Support	B16	B16
8	Spring	302/17-7	302/17-7
9	Spring Plate	B16	B16
10	Washer	Nylon	Nylon
11	Hood	B16	B16
12	Pressure Screw	B16	B16
13	Spring Post	B16	B16
14	Lock-nut	B16	B16



Hood Configuration for 1" and up

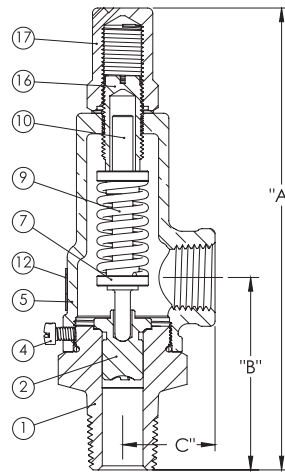


Female Connections  
"A" Dimensions same as Male

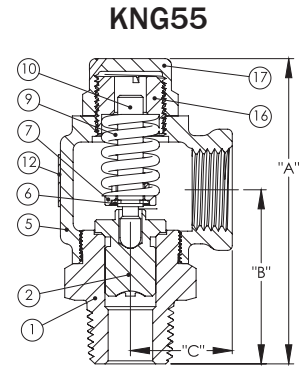


### Materials of Construction KNG51 and 55

#	Description	Material Options	
		Brass	Stainless Steel
1	Body	B16	316 Stainless
2	Disc	Bronze	316 Stainless
4	Lock Screw	B16	B16
5	Bonnet	Bronze	Bronze
6	Support	Stainless	Stainless
7	Spring Plate	Brass	B16Brass
9	Spring	Stainless	Stainless
10	Spring Post	B16	B16
12	Name Plate	Stainless	Stainless
16	Pressure Screw	B16	B16
17	Hood	B16	B16

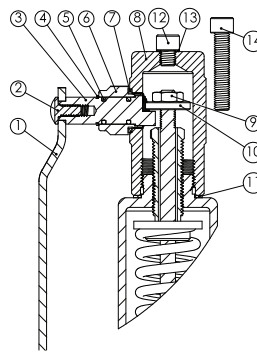
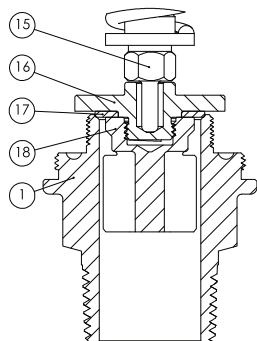


KNG51



### PTFE Soft Seat Option

#	Description	Brass	Stainless
1	Body	B16/C377	316 Stainless
15	Support	B16	B16
16	Disc	B16	316 Stainless
17	Insert	PTFE	PTFE
18	Disc Wings	B16	316 Stainless



### Packed Lift Lever Option

#	Description	Material
1	Handle	B16 Brass
2	Handle Screw	Steel/Plated
3	Cam	B16 Brass
4	Retaining Ring	Steel/Plated
5	O-Rings	Viton
6	Cam Nut	B16 Brass
7	O-Ring	PTFE
8	Hood	B16 Brass
9	Jam Nut	18-8 Stainless
10	Lifter Nut	B16 Brass
11	Hood Seal	PTFE
12	Plug	Gag Screw Option 18-8/PTFE
13	Washer	
14	Gag Screw	

## SECTION VIII AIR CAPACITY

KNG69 Liquid Capacity GPM at 25% over set pressure								
Flow Factor	1.586	3.088	4.820	6.821	8.769	13.019	17.540	22.135
PSI	A 1-1/2"	B 3/4"	C 1"	D 1-1/4"	E 1-1/2"	F 2"	G 2-1/2"	H 3"
5	4.0	8	12	17	22	33	44	55
10	5.6	11	17	24	31	46	62	78
20	7.9	15	24	34	44	65	88	111
30	9.7	19	30	42	54	80	107	136
40	11.2	22	34	48	62	92	124	157
50	12.5	24	38	54	69	103	139	175
60	13.7	27	42	59	76	113	152	192
70	14.8	29	45	64	82	122	164	207
80	15.9	31	48	68	88	130	175	221
90	16.8	33	51	72	93	138	186	235
100	17.7	35	54	76	98	146	196	247
120	19	38	59	84	107	159	215	271
140	21	41	64	90	116	172	232	293
160	22	44	68	96	124	184	248	313
180	24	46	72	102	132	195	263	332
200	25	49	76	108	139	206	277	350
225	27	52	81	114	147	218	294	371
250	28	55	85	121	155	230	310	391
275	29	57	89	126	163	241	325	410
300	31	60	93	132	170	252	340	429
325	32	62	97	137	177	262		
350	33	65	101	143	183	272		
375	34	67	104	148	190	282		
400	35	69	108	153	196	291		
450	38	73	114	162	208			
500	40	77	121	171	219			
550	42	81	126					
600	43	85	132					